

FLUENCE

BIOENGINEERING

RAY

MOUNTING INSTRUCTIONS

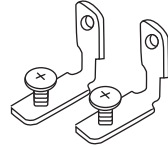


MOUNTING

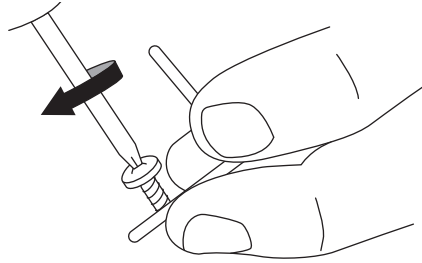
RAY Series fixtures ship with your choice of hanging hardware. To mount your RAY fixture, start by identifying a suitable support structure to hang your fixture from. RAY22 weighs 1lb 4oz, RAY44 weighs 2lb 3oz, and RAY66 weighs 3lbs 2oz. The power supply for all three RAY fixtures weighs 2lbs 2oz. Common support structures used to hang RAY fixtures include Unistrut, trusses, pipes and structural channel.

RAY STANDARD MOUNTING BRACKETS

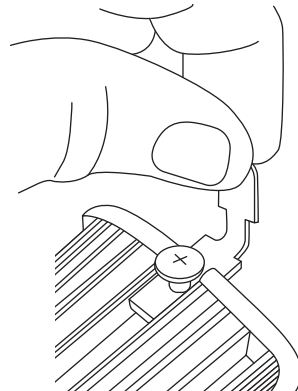
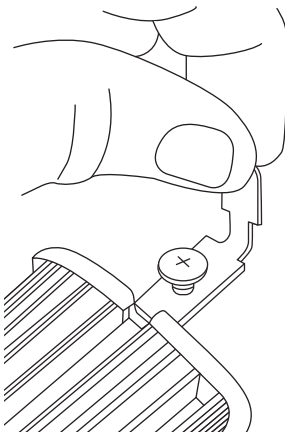
Standard mounting brackets are designed to provide two points of contact to hang from or hard mount to a support structure.



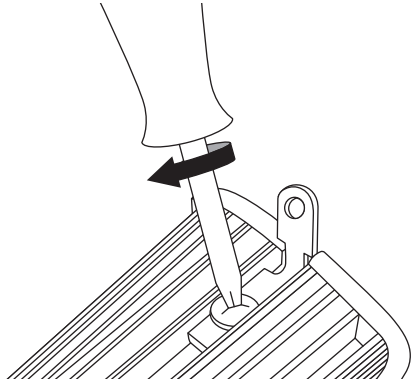
- 1 Start by installing the two screws into the threaded holes in the brackets



- 2 Insert the brackets into the channel windows on either end of the RAY fixture. Please ensure the screw-heads remain above the channel when inserting brackets.



- 3 Slide brackets into desired position based on the support structure you are mounting to or hanging from. Ideal spacing should equal the distance from the center of the RAY fixture. When bracket is in desired position, hand-tighten the screws on each bracket to pin it in place.



- 4 Suspend your RAY fixture using the side-facing holes in the brackets, or hard-mount to a support structure over your canopy. Bracket spacing can be easily adjusted after installation.



**Last, and most important,
please recycle all packaging material.
Future generations will thank you.**

FLUENCE

BY **OSRAM**

Review our products, share your grow and stay abreast of the latest
Fluence news and product releases through the channels below:



fluence.science