



SPYDR 2i33

The **SPYDR 2 33"** Series is designed to optimize the LED light coverage for 36-inch wide grow benches and tables. Offering two levels of PPF light output and a variety of mounting options, it is a highly flexible grow light solution with easy installations for growers.

SPECIFICATIONS

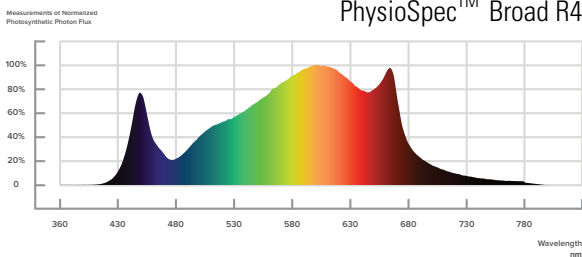
Light Source	LED
Spectrum	PhysioSpec™ Broad R4
Light Output PPF	1250 µmol/s
Efficacy	2.5 µmol/J @ 277 V AC
AC Input Power	500 W @ 277 V AC
AC Input Voltage	120-277V AC, 347-480V AC, 50/60Hz
Light Distribution	120°
Mounting Height Above Canopy	6" - 12" [15-30 cm]
Thermal Management	Passive
Max. Ambient Temperature	95°F [35°C], 90% RH
Dimming	Off/on 0/1-10 V sink dimming, source driver
Total Harmonic Distortion (THD)	< 10% at 100% output
Lifetime (Driver and LED L90)	> 50,000 hrs
IP Rating IEC 60529	IP66
Certifications	UL 8800, UL 1598 Wet Location, DLC
Warranty	5 Year Standard Warranty

NOMINAL ELECTRICAL AC INPUT*

AC VOLTAGE	120V	208V	277V	347V	480V
AC Current	4.23 A	2.40 A	1.89 A	1.44 A	1.08 A
AC Power	512 W	494 W	500 W	494 W	494 W
Power Factor	0.996	0.989	0.955	0.988	0.952

* At 77°F [25°C] ambient temperature and 100% output.

SPECTRA



FAMILY	MODEL	SPECTRUM	INPUT VOLTAGE	AC POWER CORD
SR	SPYDR 2i33	2i33"x43" I PhysioSpec™ Broad R4	LVG 120-277V HVG 347-480V	00 None 06 6 ft (1,8 m) 15 15 ft (4,6 m)

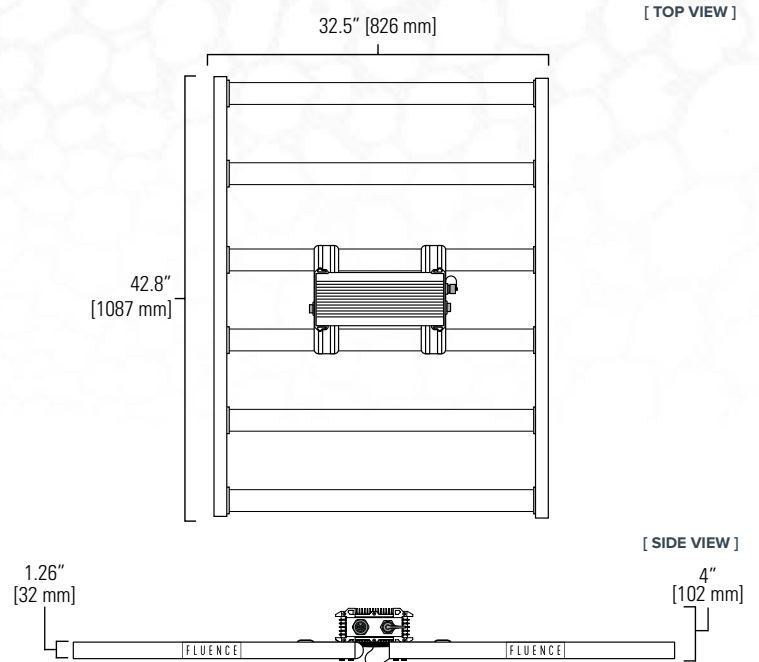
AC PLUG TYPE	DC EXT. CORD	MOUNTING HARDWARE*	PACKAGING
000	None	00 None	S Single Pack
N5P	NEMA 5-15p	03 3 ft (0,9 m)	B20 Bulk Pack (20 QTY)
N6P	NEMA 6-15P	06 6 ft (1,8 m)	
L7P	NEMA L7-15P	M 2-Point Hanging Lances	
PTP	Pigtails	A Adjustable Hanging Kit	
		L Long V Mounts	
		O Offset Solid Deck Mounting Kit	
		V VAS Mounting Kit	
		LV Wire Form VAS	
		LC Wire Form VAS Short	
		OV Offset VAS Long	
		OC Offset VAS Short	

*Please contact sales for more mounting options

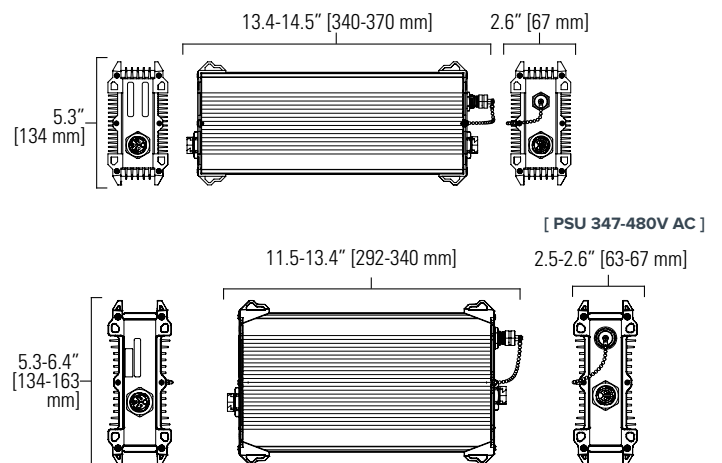
Note :

DC Dimming signal cable not included in the product. Must be ordered separately as an accessory.

DC DIMMING SIGNAL CABLE (Power Supply to Dimming Control)	QTY/ Power Supply	Ordering Code	QTY/ Carton
11 in (0,3 m) dimming signal cable, pigtail, M12 connector	1 pc	CDMA-71561-10	10 pcs
5-FT (1,5 m) dimming signal cable, pigtail, M12 connector	1 pc	CDMA-71560-10	10 pcs



[PSU 120-277V AC]



Disclaimer: Performance values are from representative tests performed in accordance industry standards listed. Actual application performance may vary due to component tolerances and installation, environmental, and field measurements conditions.



Contact **FLUENCE**
support@fluence.science
www.fluence.science/SPYDR

© Copyright 2022 Fluence Bioengineering 2022-05

Subject to change without notice
 Horticultural lighting | Not suitable for household illumination.