



## SPYDR 2x33

The **SPYDR 2 33"** Series is designed to optimize the LED light coverage for 36-inch wide grow benches and tables. Offering two levels of PPF light output and a variety of mounting options, it is a highly flexible grow light solution with easy installations for growers.

## SPECIFICATIONS

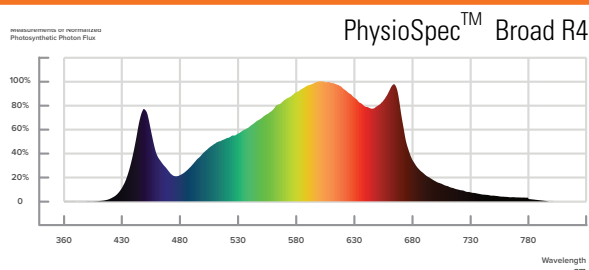
|                                 |   |
|---------------------------------|---|
| Light Source                    | LED   |
| Spectrum                        | PhysioSpec™ Broad R4                        |
| Light Output PPF                | 705 µmol/s                                  |
| Efficacy                        | 2.4 µmol/J @ 277 V AC                       |
| AC Input Power                  | 284 W @ 277 V AC                            |
| AC Input Voltage                | 120-277 V AC, 347-400 V AC, 50/60 Hz        |
| Light Distribution              | 120°  |
| Mounting Height Above Canopy    | 6" - 12" [15-30 cm]                         |
| Thermal Management              | Passive                                     |
| Max. Ambient Temperature        | 95°F [35°C], 90% RH                         |
| Dimming                         | Off/on 0/1-10 V sink dimming, source driver |
| Total Harmonic Distortion (THD) | < 10% at 100% output                        |
| Lifetime (Driver and LED L90)   | > 50,000 hrs                                |
| IP Rating IEC 60529             | IP66  |
| Certifications                  | UL 8800, UL 1598 Wet Location, DLC          |
| Warranty                        | 5 Year Limited Warranty                     |

### NOMINAL ELECTRICAL AC INPUT\*

| AC VOLTAGE   | 120V   | 208V   | 277V   | 347V   | 400V   |
|--------------|--------|--------|--------|--------|--------|
| AC Current   | 2.44 A | 1.44 A | 1.16 A | 0.86 A | 0.76 A |
| AC Power     | 290 W  | 289 W  | 284 W  | 286 W  | 286 W  |
| Power Factor | 0.987  | 0.969  | 0.919  | 0.954  | 0.936  |

\* At 77°F [25°C] ambient temperature and 100% output.

## SPECTRA



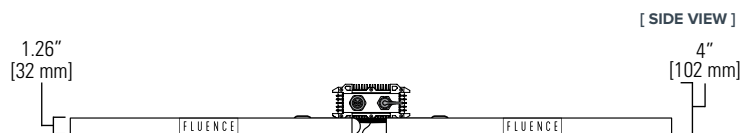
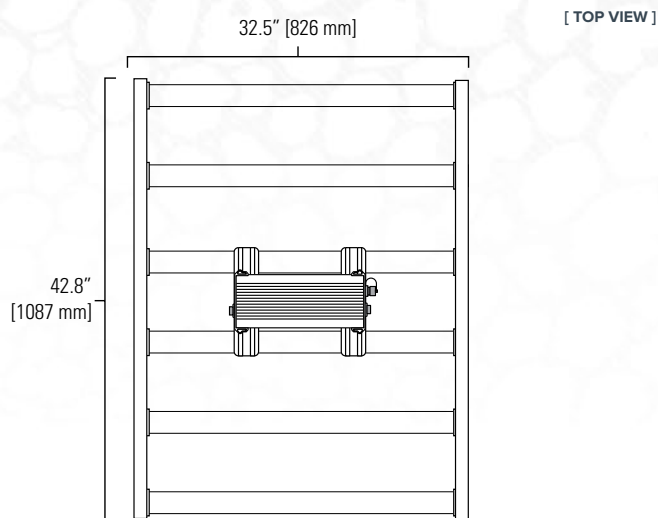
| FAMILY | MODEL                 | SPECTRUM             | INPUT VOLTAGE                | AC POWER CORD                                  |
|--------|-----------------------|----------------------|------------------------------|--|
| SR     | SPYDR 2x33 2i 33"x43" | PhysioSpec™ Broad R4 | LVG 120-277V<br>HVE 347-400V | 00 None<br>06 6 ft (1,8 m)<br>15 15 ft (4,6 m) |

| AC PLUG TYPE    | DC EXT. CORD    | MOUNTING HARDWARE                | PACKAGING              |
|-----------------|-----------------|----------------------------------|------------------------|
| 000 None        | 00 None         | 00                               | S Single Pack          |
| N5P NEMA 5-15p  | 03 3 ft (0,9 m) | W Waterfall Mounts               | B20 Bulk Pack (20 QTY) |
| N6P NEMA 6-15P  | 06 6 ft (1,8 m) | S Solid-Decking Mounts           |                        |
| L7P NEMA L7-15P |                 | M 2-Point Hanging Lances         |                        |
| PTP Pigtailed   |                 | A Adjustable Hanging Kit         |                        |
|                 |                 | L Long V Mounts                  |                        |
|                 |                 | O Offset Solid Deck Mounting Kit |                        |
|                 |                 | V VAS Mounting Kit               |                        |
|                 |                 | LV Wire Form VAS                 |                        |
|                 |                 | LC Wire Form VAS Short           |                        |
|                 |                 | OV Offset VAS Long               |                        |
|                 |                 | OC Offset VAS Short              |                        |

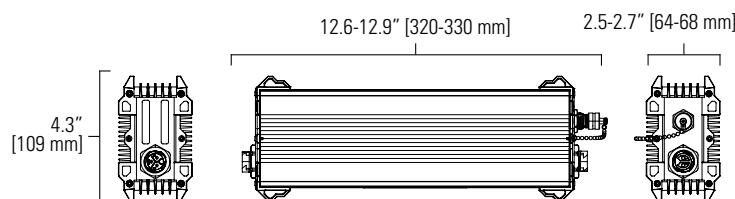
\*Please contact sales for more mounting options

**Note :**  
DC Dimming signal cable not included in the product.  
Must be ordered separately as an accessory.

| DC DIMMING SIGNAL CABLE (Power Supply to Dimming Control)  | QTY/ Power Supply | Ordering Code | QTY/ Carton |
|--|-------------------|---------------|-------------|
| 11 in (0,3 m) dimming signal cable, pigtail, M12 connector | 1 pc              | CDMA-71561-10 | 10 pcs      |
| 5-FT (1,5 m) dimming signal cable, pigtail, M12 connector  | 1 pc              | CDMA-71560-10 | 10 pcs      |



[ PSU 120-277V AND 347-400V AC ]



**Disclaimer:** Performance values are from representative tests performed in accordance industry standards listed. Actual application performance may vary due to component tolerances and installation, environmental, and field measurements conditions.



Contact **FLUENCE**   
support@fluence.science   
www.fluence.science/SPYDR